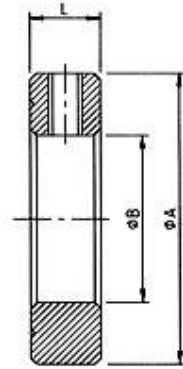
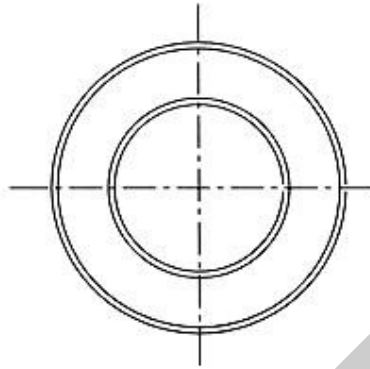




SHAFT COLLARS SOLID STEEL-ZINC PLATED



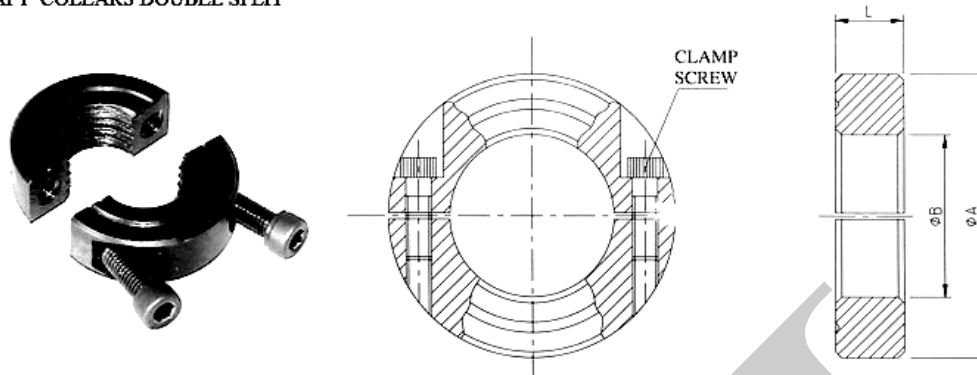
PART NO.	BORE DIA. B	OUTER DIA. O.D.	WIDTH LTB	SET SCREW SIZE CLASS 3A UNC/UNF	WEIGHT GRAMS
C-12	1/8	3/8	1/4	6-32 × 1/8	2.73
C-18	3/16	7/16	1/4	8-32 × 1/8	5.45
C-25	1/4	1/2	5/16	10-32 × 1/8	5.45
C-31	5/16	5/8	5/16	10-32 × 1/8	8.64
C-37	3/8	3/4	3/8	1/4-20 × 3/16	14.09
C-43	7/16	7/8	7/16	1/4-20 × 1/4	22.73
C-50	1/2	1	7/16	1/4-20 × 1/4	31.36
C-56	9/16	1	7/16	1/4-20 × 1/4	28.18
C-62	5/8	1 1/8	1/2	5/16-18 × 1/4	42.73
C-68	11/16	1 1/4	9/16	5/16-18 × 1/4	56.82
C-75	3/4	1 1/4	9/16	5/16-18 × 1/4	54.09
C-81	13/16	1 5/16	9/16	5/16-18 × 1/4	59.55
C-87	7/8	1 1/2	9/16	5/16-18 × 1/4	68.18
C-93	15/16	1 1/2	9/16	5/16-18 × 1/4	93.64
C-100	1	1 5/8	5/8	5/16-18 × 1/4	105.00
C-106	1 1/16	1 3/4	5/8	5/16-18 × 1/4	113.18
C-112	1 1/8	1 3/4	5/8	5/16-18 × 1/4	110.45
C-118	1 3/16	2	11/16	3/8-16 × 3/8	170.00
C-125	1 1/4	2	11/16	3/8-16 × 3/8	164.55
C-131	1 5/16	2 1/8	11/16	3/8-16 × 3/8	184.09
C-137	1 3/8	2 1/8	3/4	3/8-16 × 3/8	184.09
C-143	1 7/16	2 1/4	3/4	3/8-16 × 3/8	215.45
C-150	1 1/2	2 1/4	3/4	3/8-16 × 3/8	210.00
C-156	1 9/16	2 1/2	3/16	3/8-16 × 3/8	297.73
C-162	1 5/8	2 1/2	3/16	3/8-16 × 3/8	292.73
C-168	1 11/16	2 1/2	3/16	3/8-16 × 3/8	286.36
C-175	1 3/4	2 5/8	7/8	1/2-13 × 1/2	385.45
C-181	1 13/16	2 3/4	7/8	1/2-13 × 1/2	354.55
C-187	1 7/8	2 3/4	7/8	1/2-13 × 1/2	354.55
C-193	1 15/16	3	7/8	1/2-13 × 1/2	465.00
C-200	2	3	7/8	1/2-13 × 1/2	453.64
C-212	2 1/8	3	7/8	1/2-13 × 1/2	442.27
C-218	2 3/16	3 1/4	5/16	1/2-13 × 1/2	510.45
C-225	2 1/4	3 1/4	5/16	1/2-13 × 1/2	510.45
C-231	2 5/16	3 1/4	5/16	1/2-13 × 1/2	495.91
C-237	2 3/8	3 1/4	5/16	1/2-13 × 1/2	623.64
C-243	2 7/16	3 1/2	1	1/2-13 × 1/2	595.45
C-250	2 1/2	3 1/2	1	1/2-13 × 1/2	566.82
C-256	2 9/16	3 3/4	1	1/2-13 × 1/2	850.45
C-262	2 5/8	4	1 1/8	1/2-13 × 1/2	1,020.45
C-268	2 11/16	4	1 1/8	1/2-13 × 1/2	992.27
C-275	2 3/4	4	1 1/8	1/2-13 × 1/2	964.09
C-287	2 7/8	4 1/4	1 1/8	1/2-13 × 1/2	1,077.27
C-293	2 15/16	4 1/4	1 1/8	1/2-13 × 1/2	1,049.09
C-300	3	4 1/4	1 1/8	1/2-13 × 1/2	1,020.45
C-318	3 3/16	4 1/4	1 1/8	1/2-13 × 1/2	964.09
C-343	3 7/16	4 1/2	1 1/8	1/2-13 × 1/2	1,020.45
C-393	3 15/16	5	1 1/8	1/2-13 × 1/2	1,134.09

All the dimensions in millimetres unless otherwise stated.

CTI do not accept any liability for any inaccuracies or damage caused.



SHAFT COLLARS DOUBLE SPLIT



PART NO.	BORE DIA. B	OUTER DIA. O.D.	WIDTH LTB	DIA. J	DIA. H	T	CLAMP SCREW SIZE CLASS 3A UNC/UNF	WEIGHT GRAMS
C2-25	1/4	0.688	0.313	0.200	0.125	0.085	4-40 × 3/8	12.992
C2-31	5/16	11/16	0.313	0.200	0.125	0.085	4-40 × 3/8	11.859
C2-37	3/8	7/8	0.343	0.272	0.154	0.14	6-32 × 3/8	21.659
C2-43	7/16	15/16	0.375	0.272	0.154	0.14	6-32 × 3/8	26.047
C2-50	1/2	1 1/8	0.406	0.316	0.180	0.20	8-32 × 1/2	41.660
C2-56	9/16	1 1/4	0.437	0.359	0.206	0.20	10-32 × 1/2	55.016
C2-62	5/8	1 5/16	0.437	0.359	0.206	0.20	10-32 × 1/2	58.811
C2-68	11/16	1 3/8	0.437	0.359	0.206	0.20	10-32 × 1/2	62.605
C2-75	3/4	1 1/2	1/2	0.410	0.266	0.20	1/4-28 × 5/8	85.246
C2-81	13/16	1 5/8	1/2	0.410	0.266	0.20	1/4-28 × 5/8	100.046
C2-87	7/8	1 5/8	1/2	0.410	0.266	0.20	1/4-28 × 5/8	94.718
C2-93	15/16	1 3/4	1/2	0.410	0.266	0.20	1/4-28 × 5/8	110.307
C2-100	1	1 3/4	1/2	0.410	0.266	0.20	1/4-28 × 5/8	104.190
C2-106	1 1/16	1 7/8	1/2	0.410	0.266	0.20	1/4-28 × 5/8	120.568
C2-112	1 1/8	1 7/8	1/2	0.410	0.266	0.25	1/4-28 × 5/8	113.661
C2-118	1 3/16	2 1/16	1/2	0.410	0.266	0.25	1/4-28 × 5/8	143.655
C2-125	1 1/4	2 1/16	1/2	0.410	0.266	0.25	1/4-28 × 5/8	135.960
C2-131	1 5/16	2 1/8	9/16	0.410	0.266	0.25	1/4-28 × 5/8	158.726
C2-137	1 3/8	2 1/4	9/16	0.410	0.266	0.25	1/4-28 × 5/8	180.260
C2-143	1 7/16	2 1/4	9/16	0.410	0.266	0.25	1/4-28 × 5/8	170.270
C2-150	1 1/2	2 3/8	9/16	0.410	0.266	0.25	1/4-28 × 5/8	192.692
C2-162	1 5/8	2 5/8	11/16	0.515	0.328	0.32	5/16-24 × 7/8	295.204
C2-168	1 11/16	2 3/4	11/16	0.515	0.328	0.32	5/16-24 × 7/8	327.492
C2-175	1 3/4	2 3/4	11/16	0.515	0.328	0.32	5/16-24 × 7/8	312.569
C2-187	1 7/8	2 7/8	11/16	0.515	0.328	0.32	5/16-24 × 7/8	329.934
C2-193	1 15/16	3	11/16	0.515	0.328	0.32	5/16-24 × 7/8	364.393
C2-200	2	3	11/16	0.515	0.328	0.32	5/16-24 × 7/8	347.299
C2-212	2 1/8	3 1/4	3/4	0.515	0.328	0.32	5/16-24 × 7/8	458.198
C2-218	2 3/16	3 1/4	3/4	0.515	0.328	0.32	5/16-24 × 7/8	437.774
C2-225	2 1/4	3 1/4	3/4	0.515	0.328	0.32	5/16-24 × 7/8	416.759
C2-237	2 3/8	3 1/2	3/4	0.515	0.328	0.32	5/16-24 × 7/8	500.821
C2-243	2 7/16	3 1/2	3/4	0.515	0.328	0.32	5/16-24 × 7/8	478.029
C2-250	2 1/2	3 3/4	7/8	0.609	0.391	0.32	3/8-24 × 7/8	690.651
C2-262	2 5/8	3 7/8	7/8	0.609	0.391	0.32	3/8-24 × 7/8	718.277
C2-268	2 11/16	4	7/8	0.609	0.391	0.32	3/8-24 × 7/8	775.947
C2-275	2 3/4	4	7/8	0.609	0.391	0.32	3/8-24 × 7/8	745.903
C2-287	2 7/8	4 1/4	7/8	0.609	0.391	0.32	3/8-24 × 7/8	866.077
C2-293	2 15/16	4 1/4	7/8	0.609	0.391	0.32	3/8-24 × 7/8	833.961
C2-300	3	4 1/4	7/8	0.609	0.391	0.32	3/8-24 × 7/8	801.155

All the dimensions in millimetres unless otherwise stated.

CTI do not accepts any liability for any inaccuracies or damage caused.