

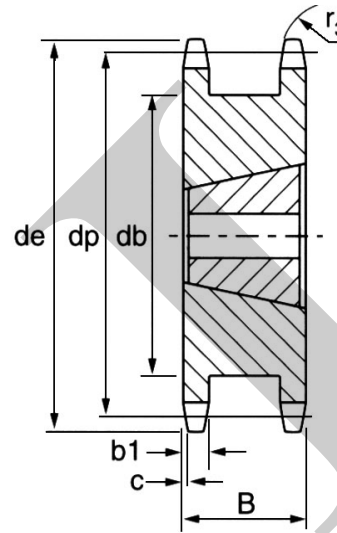


Double Simplex Sprockets

Pilot Bore

06B 3/8" × 7/32					
SPROCKET		mm			
Tooth Radius r_3		10.00			
Chamfer c		1.00			
Tooth Width b_1		6.35			
Teeth	Outer Dia d_e	Pitch Dia d_p	Width B	Hub Dia d_b	Stock Bore D_1
14	46.3	42.80	23.5	31	10
15	49.3	54.81	23.5	34	10
16	52.3	48.82	23.5	37	10
17	55.3	51.83	23.5	40	10
18	58.3	54.85	23.5	43	10
19	61.3	57.87	23.5	46	10
20	64.3	60.89	23.5	48	10
21	68.0	63.91	23.5	52	10
23	73.5	69.95	23.5	58	10
25	80.0	76.00	23.5	64	10

Double Simplex Sprockets



08B 1/2" × 5/16"					
SPROCKET		mm			
Tooth Radius r_3		13.00			
Chamfer c		1.30			
Tooth Width b_1		7.20			
Teeth	Outer Dia d_e	Pitch Dia d_p	Width B	Hub Dia d_b	Stock Bore D_1
12	53.0	49.07	31	35	12
13	57.4	53.06	31	38	12
14	61.8	57.07	31	41	12
15	65.6	61.09	31	45	12
16	69.5	65.10	31	49	12
17	73.6	69.11	31	53	12
18	77.8	73.14	31	58	12
19	81.7	77.16	31	62	12
20	85.8	81.19	31	66	12
21	89.7	85.22	31	70	18
23	98.2	93.27	31	78	18
25	105.8	101.33	31	86	18

10B 5/8" × 3/8"					
SPROCKET		mm			
Tooth Radius r_3		16.00			
Chamfer c		1.60			
Tooth Width b_1		9.20			
Teeth	Outer Dia d_e	Pitch Dia d_p	Width B	Hub Dia d_b	Stock Bore D_1
12	68.0	61.34	36.5	45	19
13	73.0	66.32	36.5	50	19
14	78.0	71.34	36.5	55	19
15	83.0	76.36	36.5	60	19
16	88.0	81.37	36.5	65	19
17	93.0	86.39	36.5	70	19
18	98.3	91.42	36.5	75	19
19	103.3	96.45	36.5	80	19
20	108.4	101.49	36.5	85	19
21	113.4	106.52	36.5	90	19
23	123.4	116.58	36.5	100	19
25	134.0	126.66	36.5	110	19

12B 3/4" × 7/16"					
SPROCKET		mm			
Tooth Radius r_3		19.00			
Chamfer c		2.00			
Tooth Width b_1		11.20			
Teeth	Outer Dia d_e	Pitch Dia d_p	Width B	Hub Dia d_b	Stock Bore D_1
12	81.5	73.61	45	53	24
13	87.5	79.59	45	59	24
14	93.6	85.61	45	65	24
15	99.8	91.63	45	71	24
16	105.5	97.65	45	77	24
17	111.5	103.67	45	83	24
18	118.0	109.71	45	89	24
19	124.2	115.75	45	95	24
20	129.7	121.78	45	101	24
21	136.0	127.82	45	107	24
23	149.0	139.90	45	119	24
25	160.0	152.00	45	131	24

16B 1" × 17.2mm					
SPROCKET		mm			
Tooth Radius r_3		26.00			
Chamfer c		2.50			
Tooth Width b_1		16.20			
Teeth	Outer Dia d_e	Pitch Dia d_p	Width B	Hub Dia d_b	Stock Bore D_1
12	109.0	98.14	63.5	72	25
13	117.0	106.12	63.5	81	25
14	125.0	114.15	63.5	88	25
15	133.0	122.17	63.5	97	25
16	141.0	130.20	63.5	104	25
17	149.0	138.22	63.5	113	25
18	157.0	146.28	63.5	121	25
19	165.2	154.33	63.5	129	25
20	173.2	162.38	63.5	137	25
21	181.2	170.43	63.5	145	25
23	197.5	186.53	63.5	161	25
25	213.5	202.66	63.5	177	25

All the dimensions in millimetres unless otherwise stated.

CTI do not accept any liability for any inaccuracies or damage caused.